

# SMALL PRESSURE CONTROLS (DISC TYPE)

High Volume OEM Item

Type **ACB, LCB, HCB, GCB & TCB**

**SAGINO MIYA**

## GENERAL DESCRIPTION

- Pressure Control CB series are disc type small pressure controls featuring compact structure and field proven high quality.
- It is designed to suit modern designed application with its compact and various type of connection styles, such application as air conditioning, automobile industries and others.

Type ACB...High & medium pressure range

Type LCB...Low pressure range

Type HCB...High working pressure

Type GCB...Dual pressure controls

Type TCB...Triple pressure controls

**CE** mark applicable (available upon request)

**UL** recognized (available upon request)



Type ACB



Type ACB



Type HCB

## STANDARD TYPE NUMBER SELECTION

Type ACB & LCB

Unit: MPa (kgf/cm<sup>2</sup>)

Catalog No.	Range		Max. Pressure	Contact Functions	Pressure Connections	Terminal Construction	Application	Dimension	Wt. (kg)
	Min.	Max.							
<b>ACB</b>	0.7 {7}	4.5 {45}	4.5 {45}	SPST (High Cut)	Female Flare	Open	High Pressure Cut Out	①	0.03
						Water Proof		②	0.06
					1/4" Solder	Open		③	0.03
						Water Proof		④	0.06
				SPDT	Open	⑤		0.03	
					Water Proof	⑥		0.06	
						⑦			
					⑧				
<b>LCB</b>	0.1 {1}	0.7 {7}	1.5 {15}	SPST (Low Cut)	Female Flare	Open	Fan Control	①	0.03
						Water Proof		②	0.06
				1/4" Solder	Water Proof	Low Pressure Cut Out		③	
								④	

Type HCB

Catalog No.	Setting		Max. Pressure	Contact Functions	Pressure Connections	Terminal Construction	Application	Wt. (kg)
	Off	On						
<b>HCB</b>	2.5±0.3 {25.5±3}	2.0±0.3 {20.4±3}	8.0 {80}	SPST	Male M10	Direct Coupler	High Working Pressure	0.044

Type GCB & TCB

Catalog No.	Setting		Differential	Max. Pressure	Contact Functions	Pressure Connections	Terminal Construction	Application	Wt. (kg)	
	Off	On								
<b>GCB</b>	Low 0.2±0.02 {2.0±0.2}	—	Less Than 0.03 {0.3}	5.4 {54}	SPST (Low Cut)	Male M11	Direct Coupler	Dual Pressure Controls	0.024	
	High 3.14±0.2 {32±2.0}		0.6±0.2 {6.1±2.0}		SPST (High Cut)					
<b>TCB</b>	Low 0.2±0.02 {2.0±0.2}	0.226 <sup>+0.025</sup> <sub>-0.03</sub> { 2.3 <sup>+0.25</sup> <sub>-0.3</sub> }	More Than 0.02 {More Than 0.2}		SPST (Low Cut)			Triple Pressure Controls		0.031
	Mid. 1.55±0.13 {15.8±1.3}		1.23±0.15 {12.5±1.5}		(0.29) {(3)}					
	High 3.14±0.2 {32±2.0}		(2.55) {(26)}	0.59±0.2 {6±2}	SPST (High Cut)					

## ELECTRICAL RATINGS

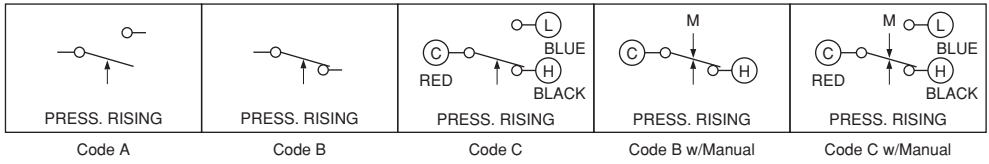
Type ACB, LCB & HCB

Category of Ratings			M Rating			L Rating			T Rating
Rated Amps. (A)	Rated Voltage (V)	Power Factor (cos φ)	125V.AC	250V.AC	12V.DC	125V.AC	250V.AC	12V.DC	12/24V.DC
	Non-Inductive Current		1	1 to 6	1 to 4	1 to 4	0.02 to 2	0.02 to 1	0.02 to 0.1
Inductive Current	Full Load	0.75	1 to 24	1 to 16	—	0.02 to 8	0.02 to 4	—	—
	Locked Rotor	0.45							

Type GCB & TCB 24V. DC 2.5A (12V. DC 5A)

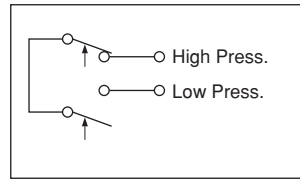
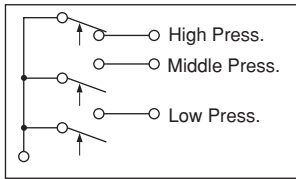
# CONTACT FUNCTIONS

Type ACB, LCB & HCB



Type TCB

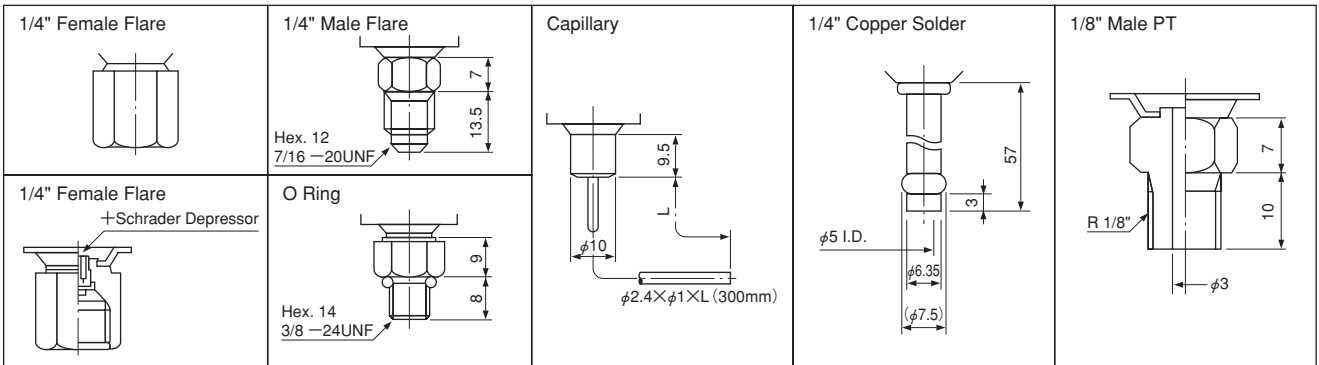
Type GCB



↑: Operating direction on press. increase at High Press. Side  
M ↓: Operating direction on manual reset

# PRESSURE CONNECTIONS

Unit: mm



# DIMENSIONS

Unit: mm

